

Passive Single-in-Line Delay Lines

Ruggedized



- ⊗ Standard Impedance 50 & 100Ω ±10%
- ⊗ Lead Finish Sn63/Pb37
- ⊗ Transfer Molder Package
- ⊗ Delay Tolerance ± 0.25 nS
- ⊗ 50 & 100Ω Impedance available
- ⊗ Moisture Sensitive Level: 1
- ⊗ Manufactured with Commercial Grade Chip Manufactured to meet MIL-PRF-83531 Manufacturing & Test Requirements
- ⊗ Manufactured in the U.S.A.

Electrical Specifications @ 25 °C – Operating Temperature – 55°C to +125 °C

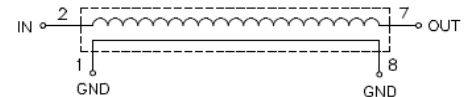
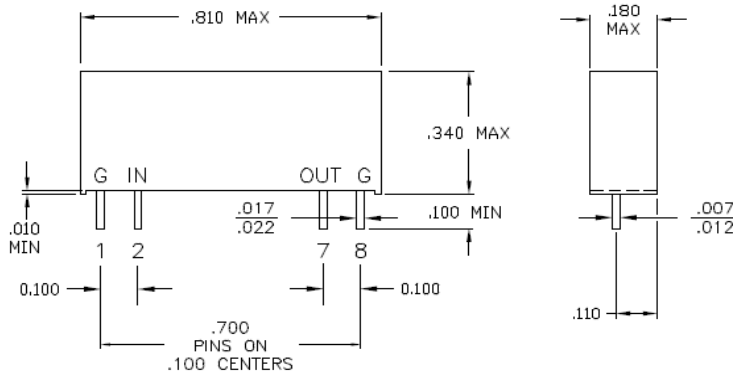
Part Number	Part Number	Total Delay (ns)	Rise Time (ns-Max.)	DCR (Ohms Max)
SB0XXXM 50Ω	SFOXXXM 100Ω			
SB02A1M	SF02A1M	1.0	1.0	1.0
SB03A1M	SF03A1M	1.5	1.0	1.0
SB04B1M	SF04B1M	2.0	1.0	1.0
SB05B1M	SF05B1M	2.5	1.0	1.0
SB06B1M	SF06B1M	3.0	1.0	1.0
SB07B1M	SF07B1M	3.5	1.0	1.0
SB08C1M	SF08C1M	4.0	1.0	1.0
SB09C1M	SF09C1M	4.5	1.0	1.0

Mechanical

Electrical Schematic

SBOXXXM / SFOXXXM

Case Shielding



Tolerances
.xxx ± 0.005 inch
.xx ± 0.010 inch

For More Information

iNRCORE, LLC
 311 Sinclair Road Bristol,
 PA 19007-6812 U.S.A
 Tel: + 1.215.781.6400
 Fax: +1.215.7816430

Global Sales Representatives and Locations:
<http://www.inrcore.com>

Performance warranty of products offered on this data sheet is limited to the parameters specified. Data is subject to change without notice. Other brand and product names mentioned herein may be trademarks or registered trademarks of their respective owners. © Copyright, 2020. iNRCORE, LLC. All rights reserved.

