

**46378**

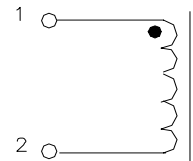
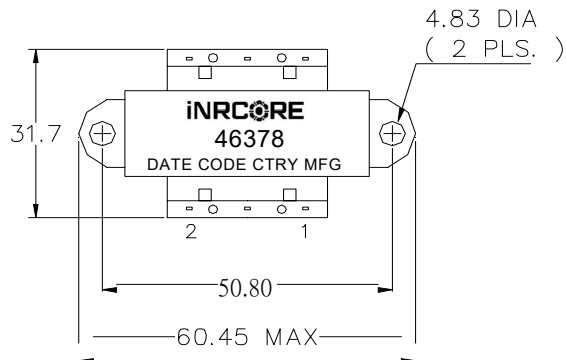
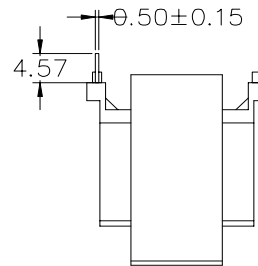
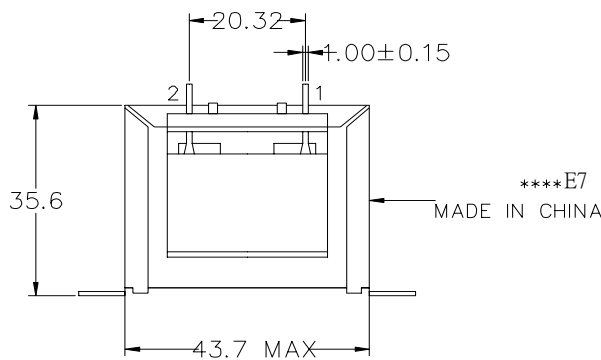
- ⊗ Varnish Impregnated
- ⊗ Lead Finish Sn63/Pb37
- ⊗ Moisture Sensitivity Level: 1

Electrical Specifications @ 25°C			
Part Number	Inductance (Measured @ 100Hz, 10VAC)	DCR (Ω MAX)	HI-POT
46378	100mH ± 20%	4.92	500 VAC

**Mechanical**

**Schematic**

46378



**For More Information**

iNRCORE, LLC  
311 Sinclair Road Bristol,  
PA 19007-6812 U.S.A  
Tel: + 1.215.781.6400  
Fax: +1.215.7816430

**Global Sales Representatives and Locations:**  
<http://www.incore.com>

Performance warranty of products offered on this data sheet is limited to the parameters specified. Data is subject to change without notice. Other brand and product names mentioned herein may be trademarks or registered trademarks of their respective owners. © Copyright, 2020. iNRCORE, LLC. All rights reserved.

