

Data Bus Couplers

MIL-STD-1553

DBCL-X4002

(X = # of ports)



- ⚙️ Developed for bench test applications Internal transformers
- ⚙️ per MIL-PRF-21038/27 Available in 2, 3, 4 or 5 ports
- ⚙️ 58.5 ohm non-inductive resistors
- ⚙️ BJ-770 type connectors
- ⚙️ Universal box

APPLICABLE SPECIFICATIONS

- ⚙️ MIL-STD-1553B
- ⚙️ MIL-STD-202
- ⚙️ MIL-PRF -21038

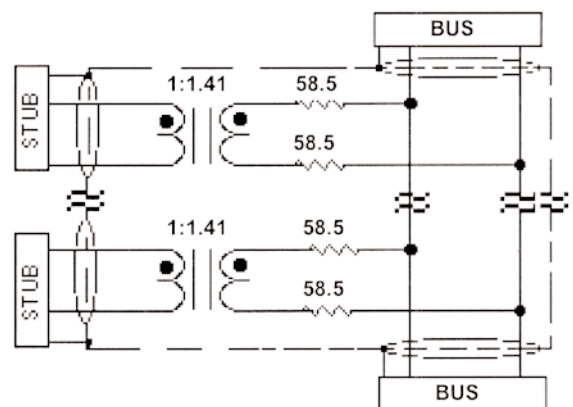
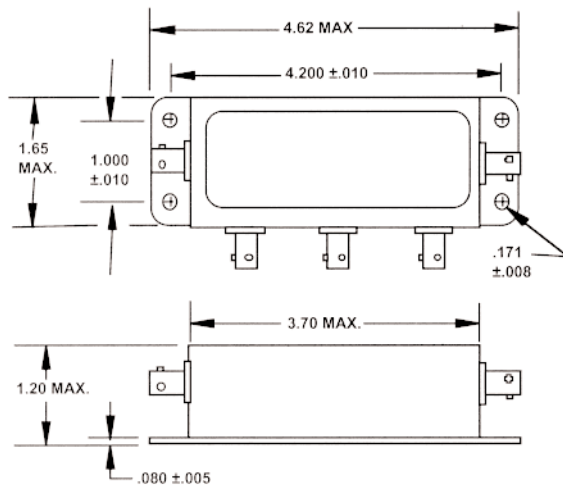
SUMMARY PERFORMANCE SPECIFICATIONS

Open Circuit Impedance	Droop	Overshoot and Ringing	Common Mode Rejection (CMR)	Frequency Range (no load)	Operating temperature range	Weight
> 3,000 Ω	$\leq 20\%$ max (250 kHz)	$\pm 1V$ max	≥ 45 dB	75 kHz to 1MHz	-40°C to +85°C	180 grams max

Dimensions

Schematic

DBCL-X4002



Notes:

1. All dimensions are in inches.
2. All specifications and dimensions are subject to change without notice.



Data Bus Couplers

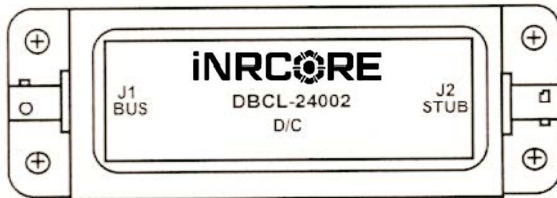
MIL-STD-1553



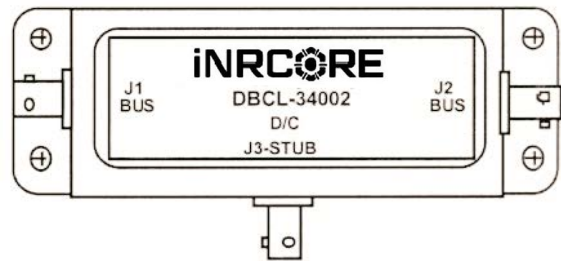
Configurations

DBCL-X4002

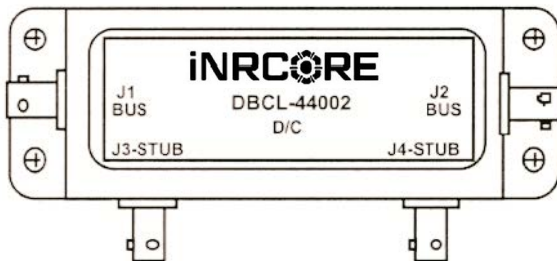
Two Port



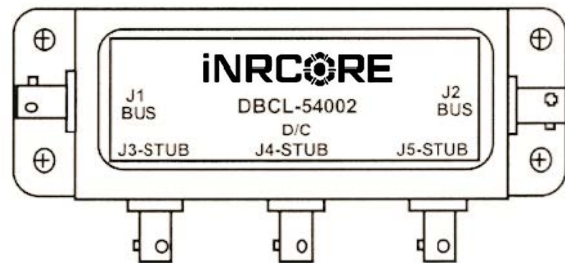
Three Port



Four Port



Five Port



For More Information

iNRCORE, LLC
311 Sinclair Road Bristol,
PA 19007-6812 U.S.A
Tel: + 1.215.781.6400
Fax: +1.215.7816430

Global Sales Representatives and Locations:
<http://www.inrcore.com>

Performance warranty of products offered on this data sheet is limited to the parameters specified. Data is subject to change without notice. Other brand and product names mentioned herein may be trademarks or registered trademarks of their respective owners. © Copyright, 2020. iNRCORE, LLC. All rights reserved.

